



# HAND BLENDER XM-72

Professional immersion blender. 750 W.



DYNAMIC PREPARATION  
COMMERCIAL HAND BLENDERS

## SALES DESCRIPTION

- ✓ Fixed speed motor block.
- ✓ 630 mm detachable arm.
- ✓ Designed for continuous use in recipients of up to 250 l.

### All-in-one

- ✓ Professional hand blender designed for carrying out different preparations without the need for add-on tools.
- ✓ Professional Y-blade, made from tempered steel and with a long-duration cutting edge.
- ✓ Fixed speed.
- ✓ Designed to work in recipients of up to 250 litres.

### Maximum comfort for the user

- ✓ Logical and manageable size.
- ✓ Ergo-design & bi-mat-grip: external casing made in two materials for an ergonomic hold. Anti-slip grip. Optimum inclination of handle, minimising fatigue.
- ✓ Click-on-arm: detachable arm with fast and secure closure.
- ✓ Hood designed to avoid splashes.
- ✓ Intuitive use: very simple operation. LED warning light in two colours to indicate the status of the machine.
- ✓ Possibility of continuous operation.

### Built to last

- ✓ Professional performance: capable of carrying out prolonged work without the casing overheating.
- ✓ Life-plus: equipped with a motor which has passed all of the most demanding usage tests.
- ✓ Studied geometry: casing designed to avoid rolling and falling.
- ✓ Easy to clean: detachable arm, can be cleaned under the tap.
- ✓ Approved by NSF: guaranteed safety and hygiene.

### INCLUDES

- ✓ Fixed speed motor block.
- ✓ MA-72 mixer arm.
- ✓ Wall mount.

### ACCESSORIES

- Clamp sliding frame
- Bowl clamp
- Mixer arms MA-70
- "Quick fix" Bowl clamp for XM

### SPECIFICATIONS

Total loading: 750 W  
 Maximum recipient capacity: 250 l  
 Maximum working depth: 420 mm  
 Motor speed: 12000 rpm  
 Blade guard diameter: 123.3 mm  
 Plug: --

### Length

Liquidising arm length: 630 mm  
 Total length: 970 mm

Net weight: 5.29 Kg  
 Noise level (1m.): <80 dB(A)

### Crated dimensions

692 x 310 x 130 mm  
 Gross weight: 6.32 Kg

### AVAILABLE MODELS

3030718 Immersion blender XM-72 230/50-60/1

\* Ask for special versions availability



[www.sammic.co.uk](http://www.sammic.co.uk)

Food Service Equipment Manufacturer

Unit 2, Trevanah Road  
 Troon Industrial Park  
 LE4 9LS - Leicester

[uksales@sammic.com](mailto:uksales@sammic.com)  
 Tel.: +44 0116 246 1900



Project

Date

Item

Qty

Approved

product sheet  
 updated 26/01/2022

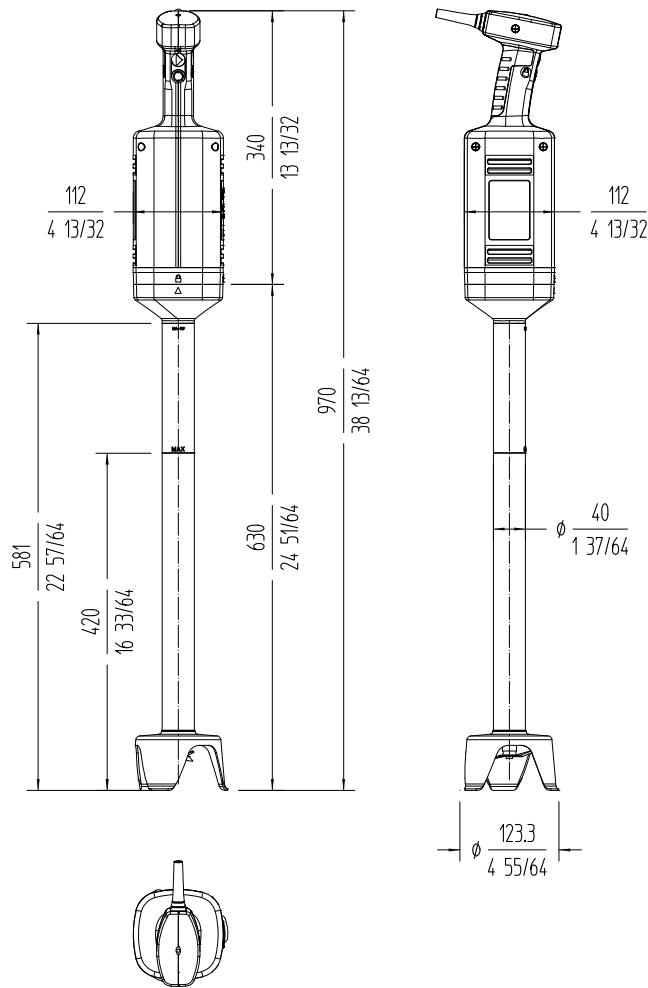


# HAND BLENDER XM-72

Professional immersion blender. 750 W.



DYNAMIC PREPARATION  
COMMERCIAL HAND BLENDERS



[www.sammic.co.uk](http://www.sammic.co.uk)

Food Service Equipment Manufacturer

Unit 2, Trevanth Road

Troon Industrial Park

LE4 9LS - Leicester

[uksales@sammic.com](mailto:uksales@sammic.com)

Tel.: +44 0116 246 1900



Project

Date

Item

Qty

Approved

product sheet  
updated 26/01/2022