



Sirman Spa
 Viale dell'Industria 9/11
 35010 PIEVE DI CURTAROLO (PD), Italy
 Tel./Fax. +39 049 9698666 / +39 049 9698688
 email: info@sirman.com



Sirman Slicers , model Raffaello 350 Evo :

- Rounded design, no sharp edges and visibile screws.
- Chrome plated and ground slide rod.
- Self lubricating slide rod bushings.
- Vulcanized rubber stops on carriage.
- Removable support cover for thickness gauge plate.
- Stainless steel slice deflector.
- Blade pulley without centre hole to facilitate cleaning.
- Adjustable slicer table movement in the first 3 mm of opening, guarantees higher cutting precision of thin slices.
- Safety ring on table shaft to prevent liquids from seeping inside the machine.
- Easily removable blade cover
- Stainless steel screws and fittings.
- Enclosed and sealed belt pulley.
- 49,5 mm distance between blade and motor.
- Bottom cover.
- Changeover electronic circuit 110-220V single or 220-280V three phase.
- Built in sharpening tool with bottom protection.
- Standard blade removal tool.
- 35° blade inclination.
- Plastic knob.
- Rubber feet.
- Buttons in insulated stainless steel (IP 67) in housing.



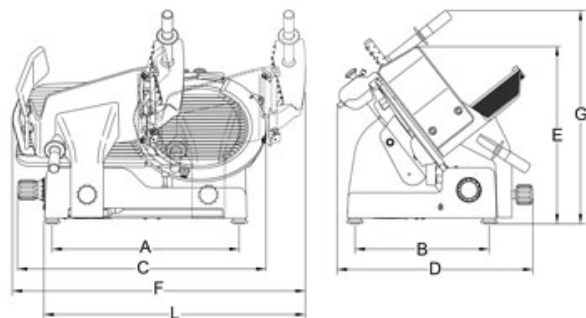
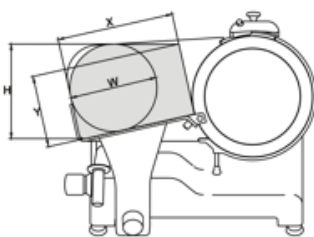
Blade hub closed, without tie rod cover blade



Easily removable blade cover



Data sheet



Technical data

Model	Raffaello 350 Evo
∅ Blade	mm 350 - inch 14
Motor	watt 370 - Hp 0,50
Cut thickness	mm 23
Run of carriage	mm 355
Hopper	mm 330x307
A	mm 513
B	mm 340
C	mm 715
D	mm 570
E	mm 480

F	mm 840
G	mm 595
L	mm 665
X	mm 307
Y	mm 220
H	mm 275
W	mm 250
Net weight	kg 38
Shipping	mm 760x640x700
Gross weight	kg 47
HS-CODE	84385000