

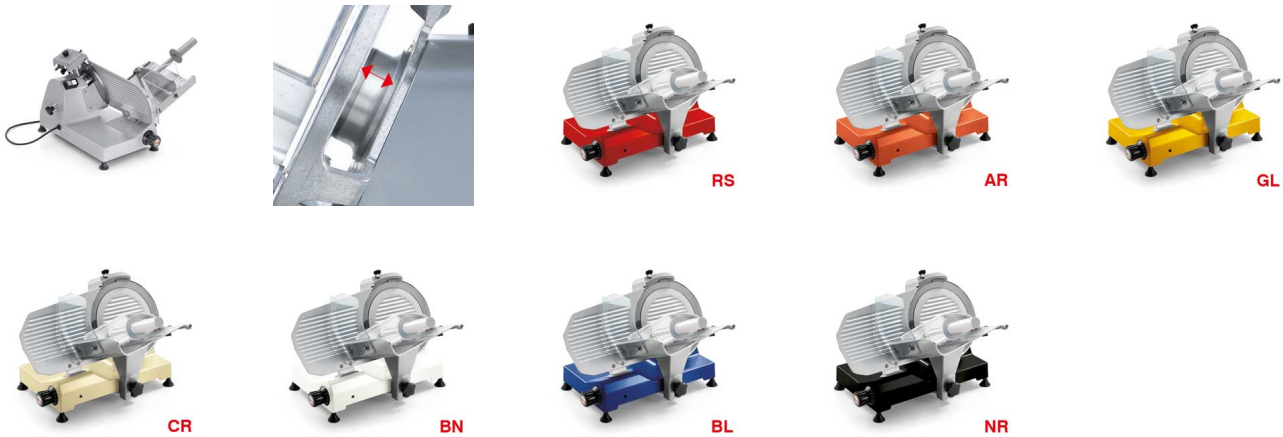


Sirman Spa
 Viale dell'Industria 9/11
 35010 PIEVE DI CURTAROLO (PD), Italy
 Tel./Fax. +39 049 9698666 / +39 049 9698688
 email: info@sirman.com

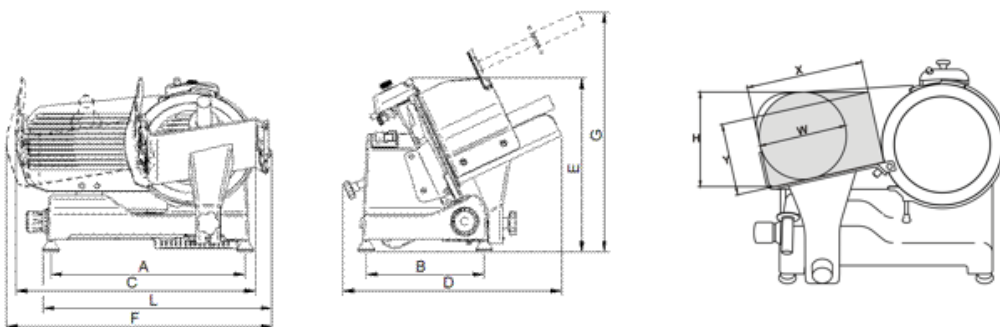


Sirman Slicers , model Smart 250 :

- Painted aluminium body.
- Anodized aluminium components.
- Ergonomic food-presser made of die-cast aluminum with teeth shaped to best block the product to cut.
- Wide space between motor and blade for easy cleaning.
- Ventilated motor for continuous work.
- Carriage running on self-lubricating bushes and lapped pins.
- Cast-in sharpener body assembly with 2 standard emery-wheels.
- Compact dimensions but great cutting capacity.
- Device for releasing the carriage on CE version.
- 25° blade inclination.



Data sheet



Technical data

Model	SMART 250
ø blade	mm 250 - inch. 10
Motor	watt 132 - Hp 0,18
Cut thickness	mm 13
Run of carriagr	mm 247
Plate	mm 225x240
A	mm 405
B	mm 245

C	mm 500
D	mm 460
E	mm 365
F	mm 555
G	mm 460
L	mm 480
X	mm 215
Y	mm 150
H	mm 185
W	mm 175
Net weight	kg 15.5
Shipping	mm 600x500x420
Gross weight	kg 18
HS-CODE	84385000