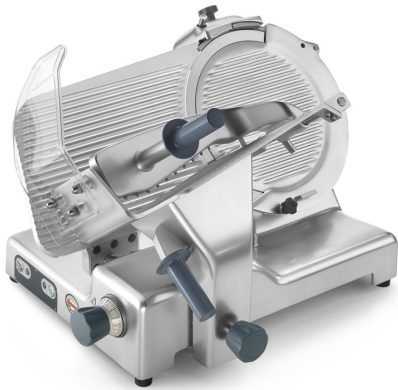




Sirman Spa  
 Viale dell'Industria 9/11  
 35010 PIEVE DI CURTAROLO (PD), Italy  
 Tel./Fax. +39 049 9698666 / +39 049 9698688  
 email: info@sirman.com



Sirman Slicers , model Galileo 350 Evo :

- Rounded design, no sharp edges and visible screws.
- Chrome plated and ground slide rod.
- Self lubricating slide rod bushings.
- Vulcanized rubber stops on carriage.
- Removable support cover for thickness gauge plate.
- Stainless steel slice deflector.
- Stainless steel screws and fittings.
- Blade pulley without centre hole to facilitate cleaning.
- Adjustable slicer table movement in the first 3 mm of opening, guarantees higher cutting precision of thin slices.
- Safety ring on table shaft to prevent liquids from seeping inside the machine.
- Easily removable blade cover
- Bottom cover.
- Changeover electronic circuit 110-220V single or 220-280V three phase.
- Built in sharpening tool with bottom protection.
- Standard blade removal tool.
- 38° blade inclination.
- Aluminium knob.
- Aluminium telescopic feet with rubber base.
- Buttons in insulated stainless steel (IP 67) in housing.
- protection rating.
- Maintenance tool kit.
- Plastic knob.
- Rubber feet.

**Optional accessories:**

- Food fence.
- Vegetables cute.

**Optional Stonehenge:**

- Cast aluminum alloy with special ceramic-teflon coating treatment
- Ideal for sticky products processing
- Excellent product gliding and easy to clean
- Highly resistant to acids and sanitizing chemicals
- Removable parts are dishwasher safe
- Aluminum-gray finish colour.

**Available versions:**

- **Stonehenge:** table, blade cover, carriage, end weight
- **Stonehenge Plus:** base, table, knife rim guard, blade cover, carriage, end weight, sharpener housing



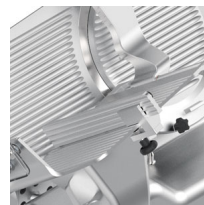
Easily removable blade cover



Blade hub closed, without tie rod cover blade



More space between blade and body machine

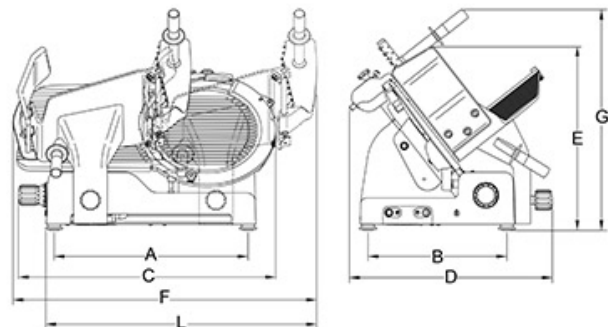
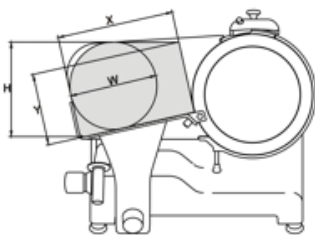


Side guard for food tray optional



Tube older for slicing vegetables (ø mm 200 x h. 346) optional

Data sheet



Technical data

Model	Galileo 350 Evo
ø Blade	mm 350 - inch 14
Motor	watt 380 - Hp 0,52
Cut thickness	mm 25
Run of carriagr	mm 365
Hopper	mm 350x320
A	mm 515
B	mm 410
C	mm 750
D	mm 590
E	mm 535
F	mm 820
G	mm 700
L	mm 680
X	mm 320
Y	mm 210
H	mm 275
W	mm 250
Net weight	kg 56
Shipping	mm 870x840x750
Gross weight	kg 72
HS-CODE	84385000