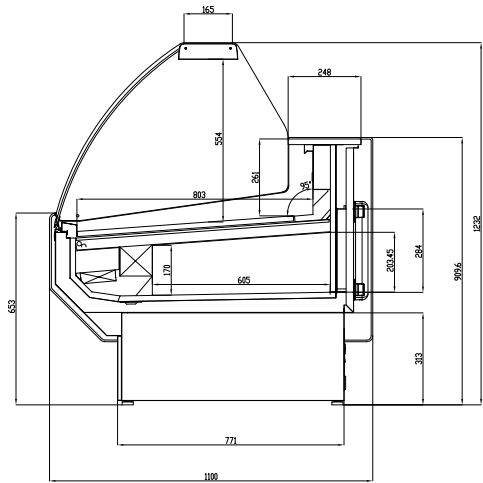


SIGMA Fresh Meat Serve Over Display

SIGMA20C



Suitable for fresh meat storage



Rear sliding perspex doors

IMPORTANT NOTE

Refrigerated serve over displays are designed to keep food products at refrigerated temperatures whilst displaying them for sale. Some counters have built in under-storage, The concept of a display counter is to display products ready for sale, the under-storage is intended to store additional products moved from a refrigerator to enable the operator to restock the display deck when products have been sold.

Many display counters are open displays and are not intended to be used as a long term storage cabinet. Serve over display need to be switching off for cleaning and regular maintenance and often require a manual defrost as in the UK many operate in high humidity conditions which can cause icing up issues.

FEATURES

Laminated steel exterior; Painted interior steel decks; Grey ABS injected side panels 40mm thick

Curved glass hinged forward for cleaning

Stainless steel backshelf

Anodised aluminium profiles

LED illumination under top canopy;
Red fresh light options available (see page 224)

Refrigerated under storage, door size 440 x 270 mm

Intermediate glass shelf as standard

Rear sliding perspex doors

Adjustable feet

TECHNICAL SPECIFICATIONS

Controller: Digital controller with temperature display

Cooling: Ventilated

Defrost: Automatic

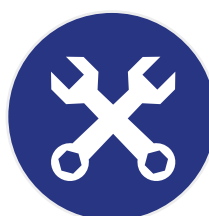
Refrigerant: R290

Climate Class: 3

Temperature Range: -2°C ~ +5°C

Power Supply: 13amp

MODEL	DOOR	DECK SIZE (W x D mm)	GROSS CAPACITY	EXT. DIMENSIONS (H x W x D mm)	POWER CONSUMPTION	DECIBELS	WEIGHT (kg)	RRP
SIGMA10C	1	975 x 803	459L	1232 x 1055 x 1100	856W	48dBA	170	
SIGMA13C	2	1225 x 803	577L	1232 x 1305 x 1100	919W	52dBA	185	
SIGMA15C	2	1445 x 803	681L	1232 x 1525 x 1100	1093W	54dBA	205	
SIGMA20C	3	1945 x 803	917L	1232 x 2025 x 1100	1310W	54dBA	233	
SIGMA25C	4	2445 x 803	1152L	1232 x 2525 x 1100	1373W	56dBA	283	



Glass structure requires assembly on site.

