



Model

NS300XHD

Product Description

Slicer, 300mm / 12", Extra Heavy Duty, Gear Driven

Product Code

5S511N



Standard Features

- Ideal machine for high volume work required in large restaurants, supermarkets, delis, butchers and central production kitchens
- Gear driven slicer designed to effortlessly handle heavy loads like bacon and large pieces of meat that might cause slipping and / or blade stoppage on a belt driven machine
- Ideal slicer for heavy cured meats including bacon, Parma ham, Serrano ham, Bresaola and Salami
- Hollow ground chromed carbon steel blade
- Easy set thickness control allows for precision slicing
- Carriage slides on ball bearings for smooth carriage glide
- Made from high polished, anodised food grade aluminium for durability and hygiene
- Large base to ensure slicer has a large capacity to cope with large products
- Ergonomic design with smooth rounded edges to allow for fast and easy cleaning and improved levels of hygiene
- Fully interlocked and safe guarded for full compliance of CE legislation. This ensures all-round blade protection for ultimate user safety during cleaning
- Built-in, self-aligning sharpening and de-burring unit
- Table / carriage, blade cover, blade and sharpening unit are detachable for easy cleaning
- Transparent slicing guard to ensure ultimate user safety whilst slicing
- Optional voltages and frequencies available on request
- CE Approved

Standard Accessories

- 1 x Knife Remover
- 1 x Flat Head Screwdriver
- 1 x Tasteless Oil

Warranty

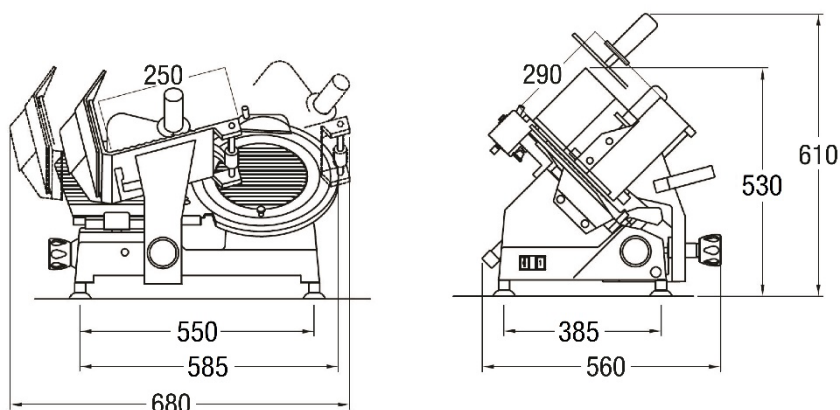
Covered by Metcalfe 2-year warranty (1st year parts and labour, 2nd year parts only) and full after sales service

Optional Accessories

| Item |
|------------------------------------|
| Tray Extension Device |
| Stainless Steel Knife Remover |
| Stainless Steel Guard |
| Aluminium Knobs |
| Product Hold Bar for Gravity Plate |

| Item |
|--|
| Plastic Cover – Small |
| Serrated Blade |
| Painting Customisation |
| Teflon Coated Parts (Blade Cover, Gauge Plate, Blade) |

Drawing



Specifications

| Model | Blade (mm) / (Inch) | Phase (Ø) | Motor (Volt) | Frequency (Hz) | Current (Amp) | Power (kW) |
|----------|---------------------|-----------|--------------|----------------|---------------|------------|
| NS300XHD | 300 / 12 | 1 | 220 | 50 | 1.36 | 0.30 |

Capacity

| Model | Cutting Capacity (mm) | | Carriage Movement (mm) | Max Slice Thickness (mm) |
|----------|-----------------------|-------------|------------------------|--------------------------|
| NS300XHD | ● 205 | □ 175 x 270 | 290 | 14 |

Dimensions | Shipping Information

| Model | Overall Dimensions D x W x H (mm) | Net Weight (Kg) | Packed Dimensions D x W x H (mm) | Packed Weight (Kg) | Volume (m3) |
|----------|-----------------------------------|-----------------|----------------------------------|--------------------|-------------|
| NS300XHD | 560 x 680 x 610 | 34 | 600 x 710 x 520 | 37 | 0.222 |

We reserve the right to alter the specification and technical details for this item at any time without prior notice.

2/2021

Metcalfe Catering Equipment Ltd

Haygarth Park

Blaenau Ffestiniog

Gwynedd, LL41 3PF

