



LPB - Lincat Lynx 400 Electric Counter-top Pasta Cooker - W 270 mm - 3.0 kW

If you're looking to produce perfect pasta time after time, then the compact plug in and play 3kW Lynx 400 Electric Pasta Boiler won't let you down.

- ✓ Compact and versatile pasta boiler
- ✓ Controlled rolling boil
- ✓ Lid to reduce heat up time and also cover tanks when not in use
- ✓ Dishwasher-safe removable tank
- ✓ Lift-out control panel and element for easy cleaning
- ✓ Corrosion-resistant elements and boil dry protection ensures a long service life

Specifications

Summary

Brand	Lincat
Range	Lynx 400
Power Type	Electric
Unit Type	Counter-top
Available in UK Only	No
UK Warranty	2 Years Parts and Labour Warranty
Export Warranty	Contact your local dealer
GTIN	5056105101246

Power and Performance

Total Power kW	3.0
IP Rating	IP23
Temperature Control	Mechanical

Key Specifications

Number of Baskets	1
Number of Tanks	1

Capacity

Product Output per Hour	1.5kg pasta - penne [fresh]
Capacity Litres	5

Weights and Dimensions

Unit Height (External) mm	315
Unit Width (External) mm	270
Unit Depth (External) mm	417
Net Weight Kg	7.8

Supply Connections

Requires Installation	No
Requires Electrical Supply	Yes
UK 3 Pin Plug	Yes
Requires Hardwiring	No
Electrical Supply Rating Watts	300
Single Phase Amps	13.0
Single Phase Voltage	230

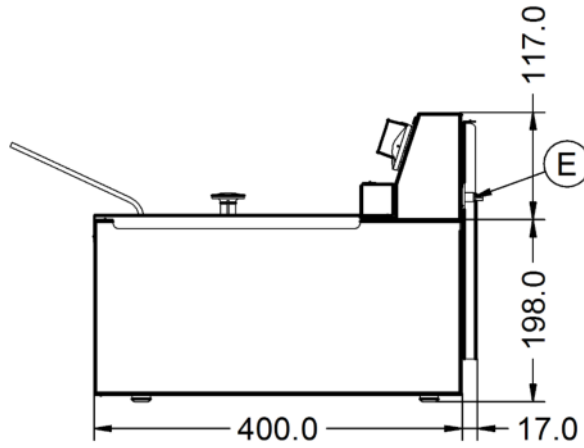
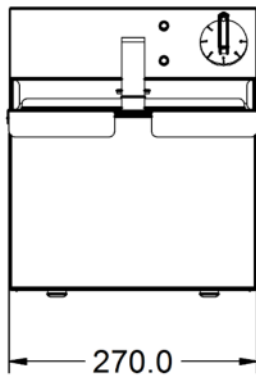
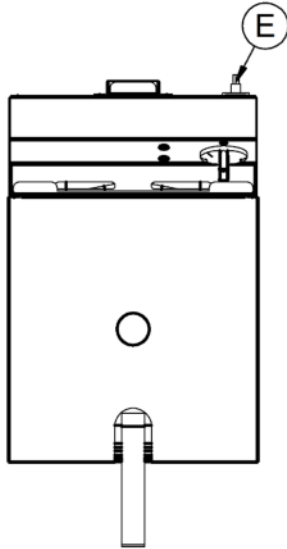
Shipping

Packed Weight Kg	8.58
Packed Height cm	42
Packed Width cm	48
Packed Depth cm	38

Available Accessories

BA158	LPB2007 HALF BASKET
--------------	---------------------

Technical Picture



Lincat Limited

Whisby Road,
Lincoln, LN6 3QZ,
United Kingdom

Company No: 2175448

A member company of



Customer Care

Tel: +44 1522 875500
Email: care@lincat.co.uk

Export Customers

Tel: +44 1522 875536
Email: export@lincat.co.uk

Opening Hours

Monday – Friday:
8.30am – 5pm