



## LRB - Lincat Lynx 400 Electric Counter-top Bain Marie - Dry Heat - inc. 1 x Round Pot - W 285 mm - 0.25 kW

Keep your sauces, soups and gravy at the ideal serving temperature with the Lynx 400 Dry Heat Bain Marie which comes with 1 x 4.5 litre round container and lids.

- ✓ Dry heat bain marie
- ✓ Ideal for holding foods for longer periods of time
- ✓ 1 x 4.5ltr round container with lids are included
- ✓ This wet unit can also be used as a dry bain marie
- ✓ Plug and play for an easy installation

### Specifications

#### Summary

|                             |                                   |
|-----------------------------|-----------------------------------|
| <b>Brand</b>                | Lincat                            |
| <b>Range</b>                | Lynx 400                          |
| <b>Power Type</b>           | Electric                          |
| <b>Unit Type</b>            | Counter-top                       |
| <b>Available in UK Only</b> | No                                |
| <b>UK Warranty</b>          | 2 Years Parts and Labour Warranty |
| <b>Export Warranty</b>      | Contact your local dealer         |
| <b>GTIN</b>                 | 5056105101314                     |

#### Power and Performance

|                            |            |
|----------------------------|------------|
| <b>Total Power kW</b>      | 0.25       |
| <b>IP Rating</b>           | IP23       |
| <b>Temperature Control</b> | Mechanical |

#### Key Specifications

|                     |           |
|---------------------|-----------|
| <b>Pot Type</b>     | Round pot |
| <b>Type of Heat</b> | Dry       |

#### Capacity

|                        |     |
|------------------------|-----|
| <b>Capacity Litres</b> | 4.5 |
|------------------------|-----|

#### Weights and Dimensions

|                                  |     |
|----------------------------------|-----|
| <b>Unit Height (External) mm</b> | 240 |
| <b>Unit Width (External) mm</b>  | 285 |
| <b>Unit Depth (External) mm</b>  | 400 |
| <b>Net Weight Kg</b>             | 6.1 |

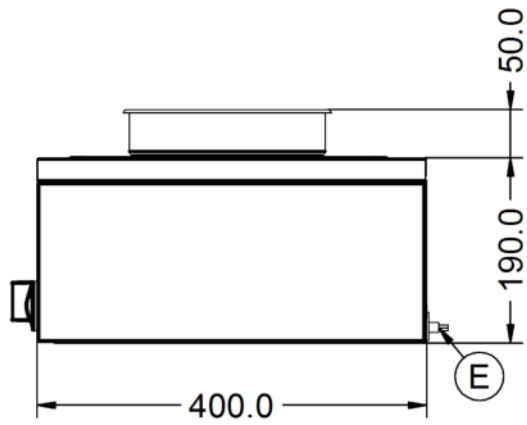
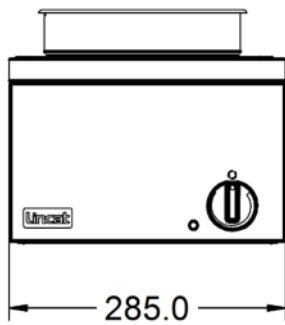
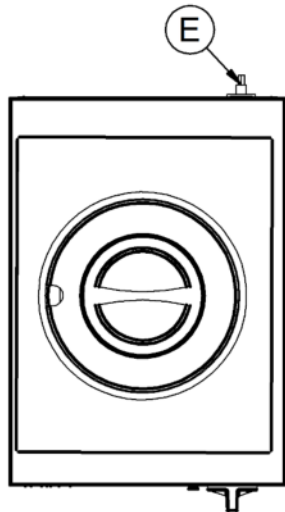
#### Supply Connections

|                                       |     |
|---------------------------------------|-----|
| <b>Requires Installation</b>          | No  |
| <b>Requires Electrical Supply</b>     | Yes |
| <b>UK 3 Pin Plug</b>                  | Yes |
| <b>Requires Hardwiring</b>            | No  |
| <b>Electrical Supply Rating Watts</b> | 250 |
| <b>Single Phase Amps</b>              | 1.1 |
| <b>Single Phase Voltage</b>           | 230 |

#### Shipping

|                         |      |
|-------------------------|------|
| <b>Packed Weight Kg</b> | 6.71 |
| <b>Packed Height cm</b> | 42   |
| <b>Packed Width cm</b>  | 48   |
| <b>Packed Depth cm</b>  | 38   |

### Technical Picture



**Lincat Limited**

Whisby Road,  
Lincoln, LN6 3QZ,  
United Kingdom

**Company No:** 2175448

A member company of



**Customer Care**

**Tel:** +44 1522 875500  
**Email:** care@lincat.co.uk

**Export Customers**

**Tel:** +44 1522 875536  
**Email:** export@lincat.co.uk

**Opening Hours**

**Monday – Friday:**  
8.30am – 5pm