



## BM7XCW - Lincat Silverlink 600 Electric Counter-top Bain Marie - Wet Heat - Gastronorms - Base + Dish Pack - W 750 mm - 2.0 kW

The Silverlink 600 Electric Wet Heat Bain Marie safely holds sauces, soups, gravy and precooked foods for up to two hours at the ideal serving temperature

- ✔ Wet heat bain marie
- ✔ Ideal for holding foods for up to 2 hours at serving temperature
- ✔ 6 x 1/3 150mm deep gastronorms with lids are included
- ✔ This wet unit can also be used as a dry bain marie
- ✔ Plug and play for an easy installation
- ✔ Perfect for safely holding sauces, gravy & pre-cooked foods
- ✔ Adjustable temperature control

### Specifications

#### Summary

<b>Brand</b>	Lincat
<b>Range</b>	Silverlink 600
<b>Power Type</b>	Electric
<b>Unit Type</b>	Counter-top
<b>Available in UK Only</b>	No
<b>UK Warranty</b>	2 Years Parts and Labour Warranty
<b>Export Warranty</b>	Contact your local dealer
<b>GTIN</b>	5056105100690

#### Power and Performance

<b>Total Power kW</b>	2.00
<b>IP Rating</b>	IP33
<b>Temperature Control</b>	Mechanical

#### Key Specifications

<b>Drain Location</b>	Front-mounted
<b>Pot Type</b>	Gastronorm
<b>Type of Heat</b>	Wet

#### Capacity

<b>Gastronorm Capacity</b>	6 x GN1/3
----------------------------	-----------

#### Weights and Dimensions

<b>Unit Height (External) mm</b>	290
<b>Unit Width (External) mm</b>	750
<b>Unit Depth (External) mm</b>	600
<b>Net Weight Kg</b>	22.4

#### Supply Connections

<b>Requires Installation</b>	No
<b>Requires Electrical Supply</b>	Yes
<b>UK 3 Pin Plug</b>	Yes
<b>Requires Hardwiring</b>	No
<b>Electrical Supply Rating Watts</b>	2,000
<b>Single Phase Amps</b>	8.7
<b>Single Phase Voltage</b>	230

#### Shipping

<b>Packed Weight Kg</b>	24.64
<b>Packed Height cm</b>	49.5
<b>Packed Width cm</b>	85.5
<b>Packed Depth cm</b>	70

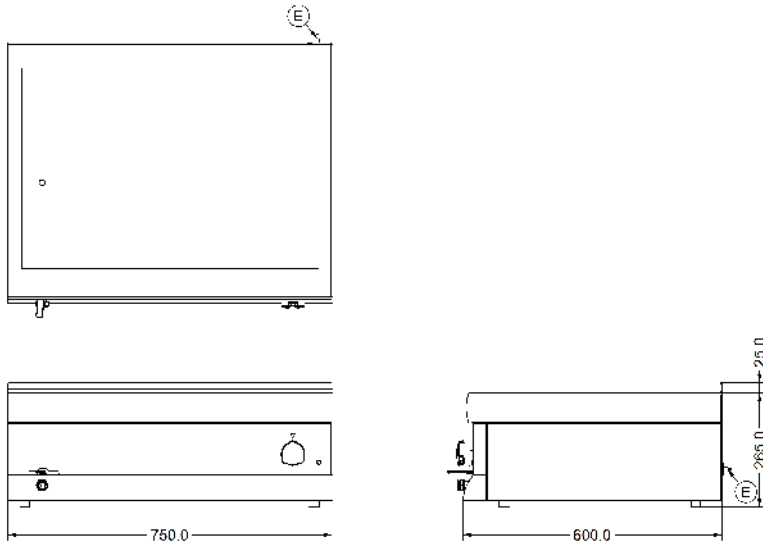
### Available Accessories

- CC7** Lincat Silverlink 600 Free-standing Ambient Open-Top Pedestal with Doors - W 750 mm
- CN7** Lincat Silverlink 600 Free-standing Ambient Open-Top Pedestal without Doors - W 750 mm

## Available Accessories

<b>HC7</b>	Lincat Silverlink 600 Free-standing Heated Open-Top Pedestal with Doors - W 750 mm - 0.5 kW
<b>HCL7</b>	Lincat Silverlink 600 Free-standing Heated Pedestal with Legs and Doors - W 750 mm - 0.75 kW
<b>SLS7</b>	Lincat Silverlink 600 Free-standing Floor Stand - for units W 750 mm

## Technical Picture





**Lincat Limited**

Whisby Road,  
Lincoln, LN6 3QZ,  
United Kingdom

**Company No:** 2175448

A member company of



**Customer Care**

**Tel:** +44 1522 875500  
**Email:** care@lincat.co.uk

**Export Customers**

**Tel:** +44 1522 875536  
**Email:** export@lincat.co.uk

**Opening Hours**

**Monday – Friday:**  
8.30am – 5pm