



## OG8801/P - Lincat Opus 800 Propane Gas Free-standing Bratt Pan - W 900 mm - 22.0 kW

The Opus 800 Gas Bratt Pan offers the flexibility of a 70°C to 300°C temperature range - it's up to you what you create in the enormous 80 litre space.

- ✓ Large 80 litre capacity
- ✓ Maximum flexibility - 70°C to 300°C temperature range to meet different cooking needs
- ✓ Large pouring spout and lip to avoid the risk of spillage
- ✓ 2mm thick stainless steel lid doubles as bench top workspace.
- ✓ Manually operated tilting mechanism with fold away handle
- ✓ Convenient automatic pilot ignition and flame failure protection

### Specifications

#### Summary

<b>Brand</b>	Lincat
<b>Range</b>	Opus 800
<b>Power Type</b>	Gas
<b>Gas Type</b>	Propane Gas
<b>Unit Type</b>	Free-standing
<b>Available in UK Only</b>	No
<b>UK Warranty</b>	2 Years Parts and Labour Warranty
<b>Export Warranty</b>	Contact your local dealer
<b>GTIN</b>	5056105102434

#### Power and Performance

<b>BTU per Hour</b>	75,064
<b>Total Power kW</b>	22.0
<b>Temperature Range °C</b>	70-300
<b>IP Rating</b>	IP24
<b>Temperature Control</b>	Mechanical

#### Capacity

<b>Capacity Litres</b>	80
------------------------	----

#### Weights and Dimensions

<b>Unit Height (External) mm</b>	900
<b>Unit Width (External) mm</b>	900
<b>Unit Depth (External) mm</b>	800
<b>Net Weight Kg</b>	157

#### Supply Connections

<b>Requires Installation</b>	Yes
<b>Requires Electrical Supply</b>	Yes
<b>UK 3 Pin Plug</b>	Yes
<b>Requires Hardwiring</b>	No
<b>Electrical Supply Rating Watts</b>	18
<b>Single Phase Amps</b>	0.008
<b>Single Phase Voltage</b>	230
<b>Gas Connection BSP</b>	1/2"
<b>Gas Consumption at full rate Propane m³ per Hour</b>	1.57
<b>Gas Pressure Propane mbar</b>	37
<b>Total heat input at full rate Propane kW</b>	23
<b>Water Connection Pressure Bar</b>	0.2-10.0
<b>Water Connection</b>	3/4"

#### Shipping

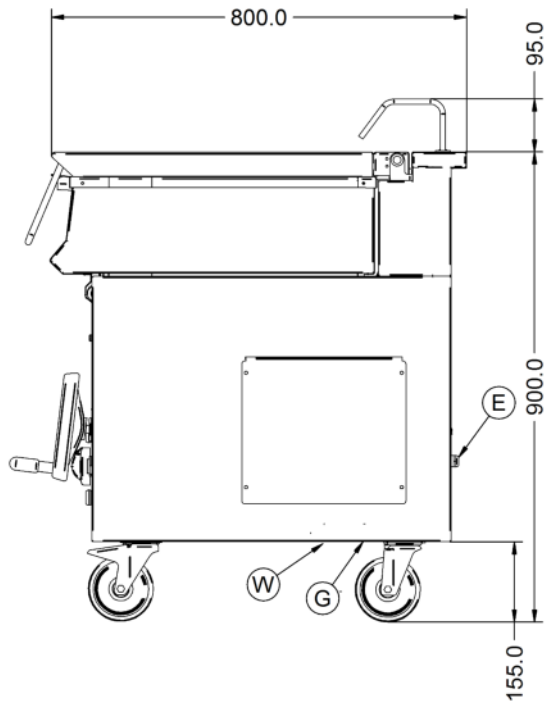
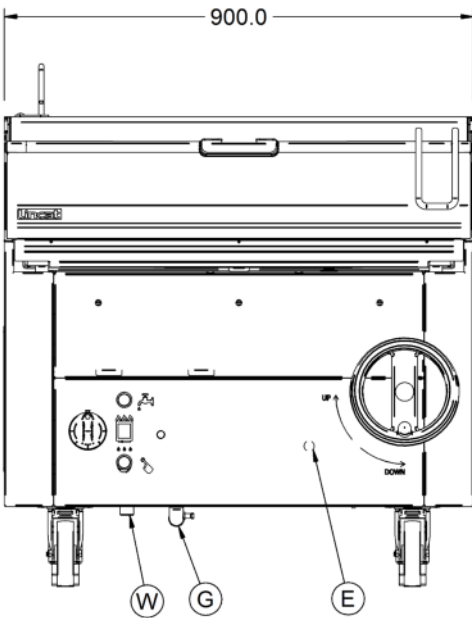
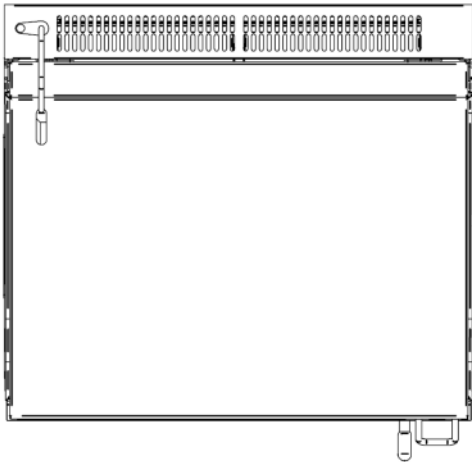
<b>Packed Weight Kg</b>	172.7
<b>Packed Height cm</b>	110
<b>Packed Width cm</b>	100
<b>Packed Depth cm</b>	85

### Available Accessories

LK06

OPUS 800 LEG KIT

Technical Picture



**Lincat Limited**

Whisby Road,  
Lincoln, LN6 3QZ,  
United Kingdom

**Company No:** 2175448

A member company of



**Customer Care**

**Tel:** +44 1522 875500  
**Email:** care@lincat.co.uk

**Export Customers**

**Tel:** +44 1522 875536  
**Email:** export@lincat.co.uk

**Opening Hours**

**Monday – Friday:**  
8.30am – 5pm