



BM7XW - Lincat Silverlink 600 Electric Counter-top Bain Marie - Wet Heat - Gastronorms - Base only - W 750 mm - 2.0 kW

The Silverlink 600 Electric Dry Heat Bain Marie safely holds sauces, soups, gravy and precooked foods for up to two hours at the ideal serving temperature

- ✓ Dry heat bain marie
- ✓ Ideal for holding foods for up to 2 hours at serving temperature
- ✓ Base unit only supplied empty no gastronorms included
- ✓ This wet unit can also be used as a dry bain marie
- ✓ Plug and play for an easy installation
- ✓ Perfect for safely holding sauces, gravy & pre-cooked foods
- ✓ Adjustable temperature control

Specifications

| Summary | | Power and Performance | |
|-----------------------------|-----------------------------------|----------------------------|------------|
| Brand | Lincat | Total Power kW | 2.00 |
| Range | Silverlink 600 | IP Rating | IP33 |
| Power Type | Electric | Temperature Control | Mechanical |
| Unit Type | Counter-top | | |
| Available in UK Only | No | | |
| UK Warranty | 2 Years Parts and Labour Warranty | | |
| Export Warranty | Contact your local dealer | | |
| GTIN | 5056105100669 | | |

| Key Specifications | | Capacity | |
|-----------------------|---------------|----------------------------|-----------|
| Drain Location | Front-mounted | Gastronorm Capacity | 2 x GN1/1 |
| Pot Type | Gastronorm | | |
| Type of Heat | Wet | | |

| Weights and Dimensions | | Supply Connections | |
|----------------------------------|------|---------------------------------------|-------|
| Unit Height (External) mm | 290 | Requires Installation | No |
| Unit Width (External) mm | 750 | Requires Electrical Supply | Yes |
| Unit Depth (External) mm | 600 | UK 3 Pin Plug | Yes |
| Net Weight Kg | 16.3 | Requires Hardwiring | No |
| | | Electrical Supply Rating Watts | 2,000 |
| | | Single Phase Amps | 8.7 |
| | | Single Phase Voltage | 230 |

| Shipping | |
|-------------------------|-------|
| Packed Weight Kg | 17.93 |
| Packed Height cm | 49.5 |
| Packed Width cm | 85.5 |
| Packed Depth cm | 70 |

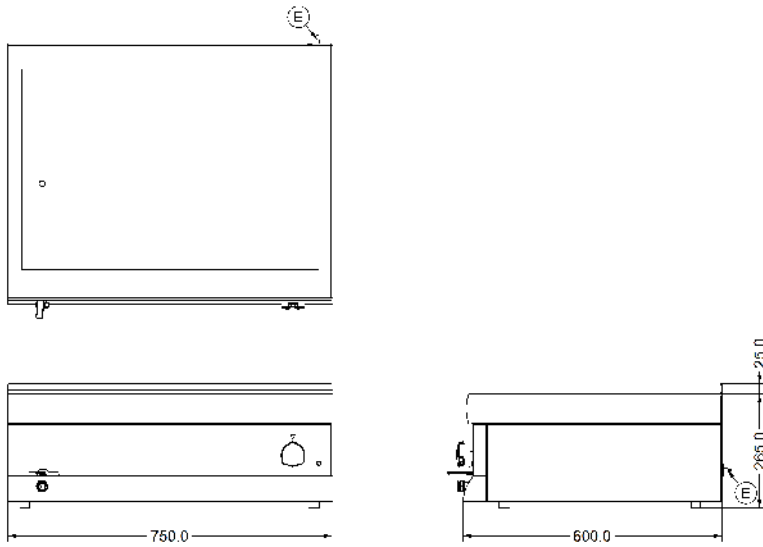
Available Accessories

| | |
|------------|---|
| CC7 | Lincat Silverlink 600 Free-standing Ambient Open-Top Pedestal with Doors - W 750 mm |
| CN7 | Lincat Silverlink 600 Free-standing Ambient Open-Top Pedestal without Doors - W 750 mm |
| HC7 | Lincat Silverlink 600 Free-standing Heated Open-Top Pedestal with Doors - W 750 mm - 0.5 kW |

Available Accessories

- HCL7** Lincat Silverlink 600 Free-standing Heated Pedestal with Legs and Doors - W 750 mm - 0.75 kW
- SLS7** Lincat Silverlink 600 Free-standing Floor Stand - for units W 750 mm

Technical Picture





Lincat Limited

Whisby Road,
Lincoln, LN6 3QZ,
United Kingdom

Company No: 2175448

A member company of



Customer Care

Tel: +44 1522 875500
Email: care@lincat.co.uk

Export Customers

Tel: +44 1522 875536
Email: export@lincat.co.uk

Opening Hours

Monday – Friday:
8.30am – 5pm