



## GR7/N - Lincat Silverlink 600 Natural Gas Counter-top Salamander Grill - W 750 mm - 6.5 kW

The Silverlink 600 Gas Salamander Grill boasts even heat distribution for maximum output, meaning that producing perfectly grilled meat, fish, and toast has never been as simple or stress-free.

- ✔ Powerful ceramic plaque burners for rapid heat up
- ✔ Cool touch handles for safety
- ✔ 4 shelf positions to give maximum flexibility for all catering operations
- ✔ Enamelled interior and hood for easy cleaning
- ✔ Supplied with a double sided alloy branding plate and fat collection tray
- ✔ Flame failure device for maximum safety

### Specifications

#### Summary

<b>Brand</b>	Lincat
<b>Range</b>	Silverlink 600
<b>Power Type</b>	Gas
<b>Gas Type</b>	Natural Gas
<b>Unit Type</b>	Counter-top
<b>Available in UK Only</b>	No
<b>UK Warranty</b>	2 Years Parts and Labour Warranty
<b>Export Warranty</b>	Contact your local dealer
<b>GTIN</b>	5056105104759

#### Power and Performance

<b>BTU per Hour</b>	22,178
<b>Total Power kW</b>	6.5
<b>Cooking Area (Width x Depth) mm</b>	580 x 275
<b>Temperature Control</b>	Mechanical

#### Key Specifications

<b>Number of Shelves included</b>	1
<b>Number of Shelf Positions</b>	4
<b>Number of Heat Zones</b>	1

#### Capacity

<b>Product Output per Hour</b>	56 x 115g [4oz] burgers [frozen], 42 x 225g [8oz]
--------------------------------	---

#### Weights and Dimensions

<b>Unit Height (External) mm</b>	405
<b>Unit Width (External) mm</b>	750
<b>Unit Depth (External) mm</b>	423
<b>Shelf Dimensions Width mm</b>	580
<b>Shelf Dimensions Depth mm</b>	275
<b>Net Weight Kg</b>	34.7

#### Supply Connections

<b>Requires Installation</b>	Yes
<b>Gas Connection BSP</b>	1/2"
<b>Gas Consumption at full rate Natural m<sup>3</sup> per Hour</b>	0.62
<b>Gas Pressure Natural mbar</b>	20
<b>Total heat input at full rate Natural kW</b>	6.5
<b>Total heat input at full rate Natural BTU per hour</b>	22,200

#### Shipping

<b>Packed Weight Kg</b>	38.17
<b>Packed Height cm</b>	49.5
<b>Packed Width cm</b>	85.5
<b>Packed Depth cm</b>	70

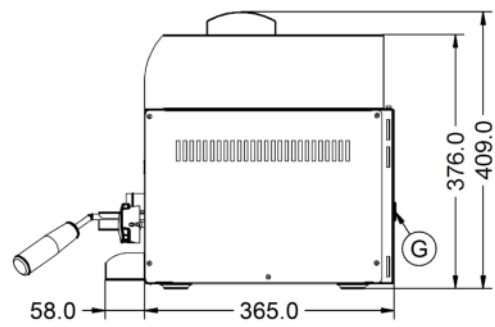
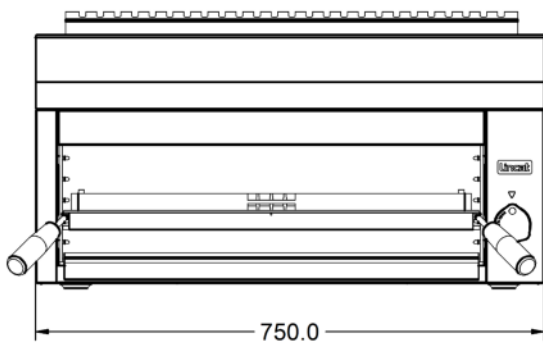
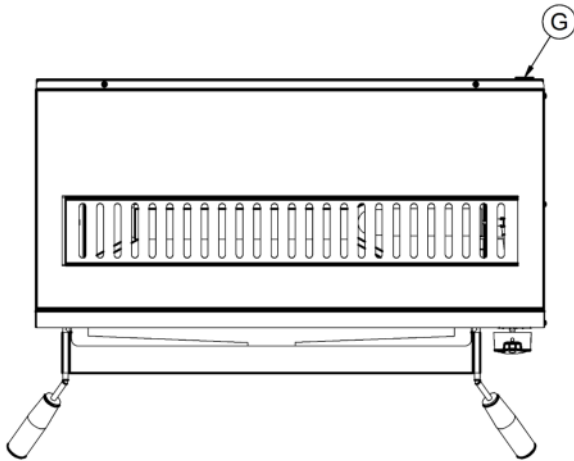
### Available Accessories

<b>BR39</b>	BRANDER GR7
<b>CH01</b>	Caterflex Hose 1/2" - 1 Metre - for use with units up to 66,000 BTU
<b>CH02</b>	Caterflex Hose 1/2" - 1.5 Metre - for use with units up to 56,000 BTU

## Available Accessories

<b>GR7/BS</b>	BENCH STAND FOR GR7
<b>GR7/FS</b>	FLOOR STAND FOR GR7
<b>GR7/WS</b>	WALL SHELF FOR GR7

## Technical Picture





**Lincat Limited**

Whisby Road,  
Lincoln, LN6 3QZ,  
United Kingdom

**Company No:** 2175448

A member company of



**Customer Care**

**Tel:** +44 1522 875500  
**Email:** care@lincat.co.uk

**Export Customers**

**Tel:** +44 1522 875536  
**Email:** export@lincat.co.uk

**Opening Hours**

**Monday – Friday:**  
8.30am – 5pm