



GR3 - Lincat Silverlink 600 Electric Counter-top Salamander Grill - W 600 mm - 2.8 kW

The Silverlink 600 Electric Salamander Grill boasts even heat distribution for maximum output, meaning that producing perfectly grilled meat, fish, and toast has never been as simple or stress-free.

- ✔ Even heat distribution for maximum output and even cooking making it perfect for grilling and toasting a wide range of products
- ✔ Removable roasting rack and crumb tray, making it effortless to keep clean
- ✔ 5 shelf positions to give maximum flexibility for all catering operations
- ✔ Stainless steel interior for ease of cleaning at the end of service
- ✔ Chrome wire shelf to allow trays and food to be placed on for cooking
- ✔ Cool touch handles for safety

Specifications

Summary

| | |
|-----------------------------|-----------------------------------|
| Brand | Lincat |
| Range | Silverlink 600 |
| Power Type | Electric |
| Unit Type | Counter-top |
| Available in UK Only | No |
| UK Warranty | 2 Years Parts and Labour Warranty |
| Export Warranty | Contact your local dealer |
| GTIN | 5056105100140 |

Power and Performance

| | |
|--|------------|
| Total Power kW | 2.8 |
| IP Rating | IP34 |
| Cooking Area (Width x Depth) mm | 410 x 230 |
| Temperature Control | Mechanical |

Key Specifications

| | |
|-----------------------------------|---|
| Number of Shelves included | 1 |
| Number of Shelf Positions | 5 |
| Number of Heat Zones | 1 |

Capacity

| | |
|--------------------------------|---|
| Product Output per Hour | 50 x 115g [4oz] burgers [frozen], 18 x 225g [8oz] |
|--------------------------------|---|

Weights and Dimensions

| | |
|----------------------------------|------|
| Unit Height (External) mm | 314 |
| Unit Width (External) mm | 600 |
| Unit Depth (External) mm | 350 |
| Shelf Dimensions Width mm | 410 |
| Shelf Dimensions Depth mm | 230 |
| Net Weight Kg | 18.2 |

Supply Connections

| | |
|---------------------------------------|-------|
| Requires Installation | No |
| UK 3 Pin Plug | Yes |
| Requires Hardwiring | No |
| Electrical Supply Rating Watts | 2,800 |
| Single Phase Amps | 12.20 |
| Single Phase Voltage | 230 |

Shipping

| | |
|-------------------------|-------|
| Packed Weight Kg | 20.02 |
| Packed Height cm | 49.5 |
| Packed Width cm | 70 |
| Packed Depth cm | 55 |

Available Accessories

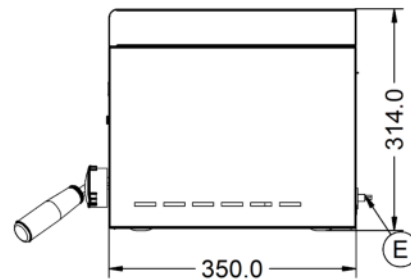
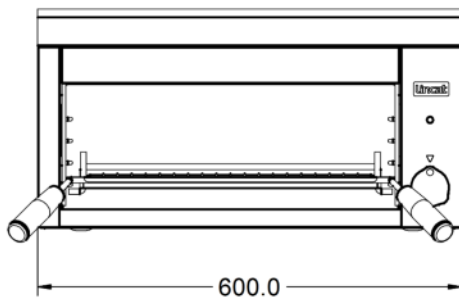
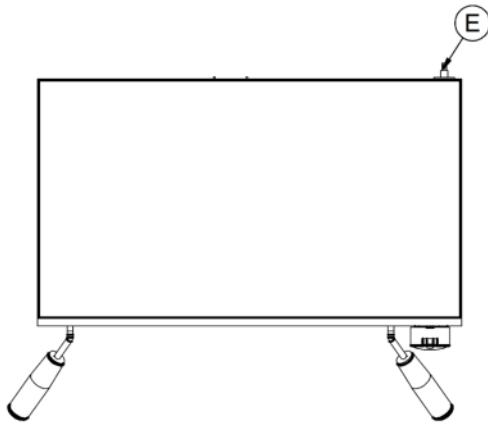
| | |
|---------------|---------------------------------------|
| ABP03 | BRANDING PLATE KIT |
| BR15 | Wall Bracket for LGT/GR3 |
| GR3/BS | BENCH STAND FOR GR3 - H410,D350,W605 |
| GR3/FS | FLOOR STAND FOR GR3 - H1260,D350,W605 |

Available Accessories

GR3/WS

Wall Shelf for GR3

Technical Picture





Lincat Limited

Whisby Road,
Lincoln, LN6 3QZ,
United Kingdom

Company No: 2175448

A member company of



Customer Care

Tel: +44 1522 875500
Email: care@lincat.co.uk

Export Customers

Tel: +44 1522 875536
Email: export@lincat.co.uk

Opening Hours

Monday – Friday:
8.30am – 5pm