



**Naboo**  
reloaded

**LAINOX**  
DEVICE FOR COOKING

## NAGB202R

20 x 2/1 GN  
40 x 1/1 GN  
GAS WITH BOILER

AUTOMATIC INTERACTIVE COOKING  
TOUCH SCREEN CONTROLS  
EQUIPPED WITH N. 1 TROLLEY KKS202



LCD 10" Touch Screen

### TOUCH SCREEN

10-Inch, LCD, HD, colour, capacitive screen, with "Touch Screen" function choice. The display can be configured based on the user's needs.



MULTILEVEL



JUST IN TIME



AUTOCLIMA



FAST-DRY



SMOKEGRILL



SMOKING



FLAVOURING



ECOSPEED



GFT



ECOVAPOR



TURBOVAPOR



AUTOMATIC WASHING



ECO WASH



NABOOK CLOUD



SYNCHRONISATION



REMOTE SERVICE

### TECHNICAL DATA

Capacity	GN	20 x 2/1 GN - 40 x 1/1 GN	Gas versions nominal heating output	kW / kcal	80 / 68.800
Distance between layers	mm	63	Chamber heating output	kW / kcal	54 / 46.440
Number of meals		300 / 500	Steam heating output	kW / kcal	55 / 46440
External dimensions metric	mm	1290 x 998 x 1810 h	Fan power	kW	1,8
Packing dimensions	mm	1410 x 1120 x 2060 h	Power supply voltage	V	3N AC 230
Weight - Net / Gross	kg	465 / 575	Frequency	Hz	50/60
Total electric power	kW	1,8	Consumption	A	0

*Special voltages and frequencies on request*

## COOKING MODES

- ICS (INTERACTIVE COOKING SYSTEM), AN AUTOMATIC COOKING SYSTEM FOR INTERNATIONAL RECIPES INCLUDING THEIR HISTORY, INGREDIENTS, PROCEDURE, AUTOMATIC COOKING PROGRAM AND PLATE PRESENTATION.
- MANUAL COOKING WITH THREE COOKING MODES: FROM 30°C TO 300°C, STEAM FROM 30°C TO 130°C, COMBINATION CONVECTION + STEAM FROM 30°C TO 300°C, WITH INSTANT COOKING START.
- PROGRAMMABLE MODES: POSSIBILITY TO PROGRAMME AND SAVE COOKING METHODS IN AN AUTOMATIC SEQUENCE (UP TO 15 CYCLES) GIVING EACH PROGRAMME ITS OWN NAME, PICTURE AND INFORMATION ON THE RECIPE.
- MULTILEVEL AND JIT MODE.
- MULTILEVEL PLUS: DOUBLING THE MULTI-LEVEL FUNCTION ON EACH SHELF MEANS DOUBLING PRODUCTION CAPACITY.
- AUTOCLIMA® AUTOMATIC SYSTEM FOR MEASURING AND CONTROLLING THE HUMIDITY IN THE COOKING CHAMBER.
- FAST-DRY® SYSTEM FOR QUICK DEHUMIDIFICATION OF THE COOKING CHAMBER.

## NABOOK WI-FI CONNECTIVITY

- RECIPE CREATION INCLUDING INGREDIENTS WITH PROCEDURE AND PHOTO.
- DIRECT ACCESS FROM COOKING DEVICE TO LAINOX RECIPE DATABASE WITH OPTIONAL DOWNLOAD.
- MENU CREATION WITH CALORIE COUNT AND LIST OF ALLERGENS WITH LAYOUT FOR CUSTOMISED PRINT OUT.
- FOOD COST CALCULATION OF RECIPES AND SINGLE PORTION MENUS.
- ORGANISATION OF SHOPPING LIST TO EXPORT IN PDF, EXCEL AND WORD FORMAT.
- SYNCHRONISATION OF DEVICES CONNECTED TO THE SAME ACCOUNT.
- HACCP MONITORING.
- REMOTE SERVICE.
- SOFTWARE UPDATE.

## OPERATION

- DISPLAY THAT CAN BE CONFIGURED BASED ON THE USER'S NEEDS, BRINGING FORWARD THE PROGRAMMES USED MOST.
- AUTOMATIC "ONE TOUCH" COOKING (ICS).
- ORGANISATION OF RECIPES IN FOLDERS WITH PREVIEW, GIVING EACH FOLDER ITS OWN NAME.
- INTELLIGENT RECOGNITION OF RECIPES IN MULTILEVEL FOLDERS.
- 10" COLOUR SCREEN (LCD, HIGH DEFINITION, CAPACITIVE, WITH "TOUCH SCREEN" FUNCTIONS).
- SCROLLER PLUS KNOB WITH SCROLL AND PUSH FUNCTION FOR CONFIRMING CHOICES.
- INSTANTANEOUS DISPLAY IN ICS COOKING OF THE HACCP GRAPHIC.

## CONTROL MECHANISMS

- AUTO REVERSE (AUTOMATIC REVERSE OF FAN ROTATION) FOR PERFECT COOKING UNIFORMITY.
- AUTOMATIC PARALLEL COMPARTMENT AND CORE TEMPERATURE CONTROL, DELTA T SYSTEM.
- AUTOMATICALLY REGULATED STEAM CONDENSATION.
- EASY ACCESS TO PROGRAMMABLE USER PARAMETERS TO CUSTOMISE THE APPLIANCE THROUGH THE USER MENU.
- PROGRAMMABLE DEFERRED COOKING.
- ABILITY TO CHOOSE UP TO 6 FAN SPEEDS; THE FIRST 3 SPEEDS AUTOMATICALLY TRIGGER A REDUCTION IN HEATING POWER. FOR SPECIAL COOKING METHODS, YOU CAN USE AN INTERMITTENT SPEED.
- TEMPERATURE CONTROL AT THE PRODUCT CORE USING PROBE WITH 4 DETECTION POINTS.
- 2 CORE PROBE, A LAINOX EXCLUSIVE.
- CORE PROBE CONNECTION THROUGH A CONNECTOR OUTSIDE OF THE COOKING CHAMBER, WITH THE POSSIBILITY OF QUICKLY CONNECTING THE NEEDLE PROBE FOR VACUUM COOKING AND SMALL PIECES.
- USB CONNECTION TO DOWNLOAD HACCP DATA, UPDATE SOFTWARE AND LOAD/DOWNLOAD COOKING PROGRAMMES.
- POSSIBILITY OF SETTING DEVICE SWITCH-OFF AT THE END OF THE AUTOMATIC WASH PROGRAM.
- SERVICE PROGRAM: TESTING THE OPERATION OF THE ELECTRONIC BOARD - DISPLAY OF THE TEMPERATURE PROBES - COUNTER FOR OPERATING HOURS OF ALL PRIMARY FUNCTIONS FOR PROGRAMMED MAINTENANCE.
- SELF-DIAGNOSIS BEFORE STARTING TO USE THE EQUIPMENT, WITH DESCRIPTIVE AND AUDIBLE SIGNALLING OF ANY ANOMALIES.
- ECOSPEED - BASED ON THE QUANTITY AND TYPE OF PRODUCT, THE OVEN OPTIMISES AND CONTROLS THE ENERGY OUTPUT, MAINTAINING THE BEST COOKING TEMPERATURE AND AVOIDING FLUCTUATIONS.
- ECOVAPOR - WITH THE ECOVAPOR SYSTEM, THERE IS A NET REDUCTION IN WATER AND ENERGY CONSUMPTION DUE TO THE AUTOMATIC CONTROLS OF THE STEAM SATURATION IN THE COOKING CHAMBER.
- TURBOVAPOR - WITH THE TURBOVAPOR SYSTEM IT AUTOMATICALLY PRODUCES THE IDEAL LEVEL OF STEAM TO COOK "TOUGH" PRODUCTS LIKE EGG PASTA OR ASPARAGUS, TURNIP GREENS AND CHARD, WHICH ARE NOTORIOUSLY FIBROUS VEGETABLES.
- GREEN FINE TUNING - A NEW BURNER MODULATION SYSTEM AND HIGH EFFICIENCY EXCHANGER TO PREVENT POWER WASTAGE AND REDUCE HARMFUL EMISSIONS.

## CONSTRUCTION

- PERFECTLY SMOOTH, WATERTIGHT CHAMBER
- DOOR WITH DOUBLE TEMPERED GLASS WITH AIR CHAMBER AND INTERIOR HEAT-REFLECTING GLASS FOR LESS HEAT RADIATION TOWARDS THE OPERATOR AND GREATER EFFICIENCY
- INTERNAL GLASS THAT FOLDS TO OPEN FOR EASY CLEANING
- DOOR WITH 3 LOCKING POINTS
- ADJUSTABLE HINGE FOR OPTIMAL SEAL
- DEFLECTOR THAT CAN BE OPENED FOR EASY FAN COMPARTMENT CLEANING
- IPX5 PROTECTION AGAINST SPRAYS OF WATER

## GAS HEATING SYSTEM

- BLOWN AIR TYPE OF MODULATING BURNERS FOR THE CAVITY
- AUTOMATIC FLAME IGNITION
- ELECTRONIC CONTROL OF THE FLAME WITH AUTOMATIC IGNITION RESET
- HIGH EFFICIENCY HEAT EXCHANGER WITH STEEL AISI 310 S EXPANSION CABINET

## NAGB202R

### STEAM GENERATOR

- STEAM GENERATOR HEATING ELEMENTS OF ARMoured INCOLOY 800 TYPE
- AISI 316 FULLY INSULATED STEAM GENERATOR
- BLOWN AIR TYPE OF MODULATING BURNERS FOR THE STEAM GENERATOR
- AUTOMATIC BOILER PRE-HEATING
- DAILY AUTOMATIC BOILER DRAINING (TEMPERATURE OF DRAINED WATER BELOW 60°C) AND RINSING
- ALARM IN CASE OF BOILER DE-SCALING REQUIRED
- BOILER SEMI-AUTOMATIC DE-SCALING PROGRAM
- CAL-OUT SYSTEM TO PREVENT SCALE BUILD-UP WITHIN THE BOILER, AS STANDARD

### SAFETY FEATURES

- COOKING COMPARTMENT SAFETY THERMOSTAT
- COOKING COMPARTMENT SAFETY DEVICE FOR PRESSURE BUILT-UP AND DEPRESSION
- FAN MOTOR THERMIC PROTECTION
- MAGNETIC DOOR SWITCH
- LACK OF WATER DISPLAYED ALARM
- SELF-DIAGNOSIS AND FAULT DISPLAY
- COMPONENT COOLING SYSTEM WITH OVERHEAT DISPLAY CONTROL
- FLAME DETECTION SENSOR INTERRUPTING GAS FLOW IN CASE OF SWITCH OF FLAME FAILURE
- SAFETY PRESSURE SWITCH FOR LACK OF GAS ALARM
- TWO-STAGE GAS VALVE
- BOILER SAFETY THERMOSTAT
- BOILER WATER LEVEL PROBES
- BOILER PROBE TO CHECK BOILER COMPLETELY EMPTY

### CLEANING AND MAINTENANCE

- LM AUTOMATIC CLEANING SYSTEM, WITH SEPARATE CONTAINER AND AUTOMATIC DISPENSING (COMBICLEAN LIQUID CLEANSER. SUPPLIED WITH 1 LIQUID CLEANSER TANK DL010 - 990 GR.).
- CALOUT DESCALING SYSTEM, THAT PREVENTS THE FORMATION AND ACCUMULATION OF LIMESCALE IN THE BOILER, WITH SEPARATE CONTAINER AND AUTOMATIC DISPENSING (CALFREE LIQUID DESCALER. SUPPLIED WITH 1 LIQUID DESCALER TANK CF010 - 990 GR.).
- MANUAL CLEANING SYSTEM WITH RETRACTABLE HAND-HELD SHOWER.

### STANDARD EQUIPMENT

- LM AUTOMATIC CLEANING SYSTEM - SUPPLIED WITH 1 LIQUID CLEANSER TANK DL010 - 990 GR.
- CALOUT DESCALING SYSTEM FOR MODELS WITH BOILER - SUPPLIED WITH ANTI-SCALE PRODUCT
- MULTIPOINT CORE PROBE Ø 3 MM.
- BUILT-IN AND RETRACTABLE HAND SHOWER WITH TAP
- WI-FI CONNECTION
- USB CONNECTION
- TROLLEY KKS202

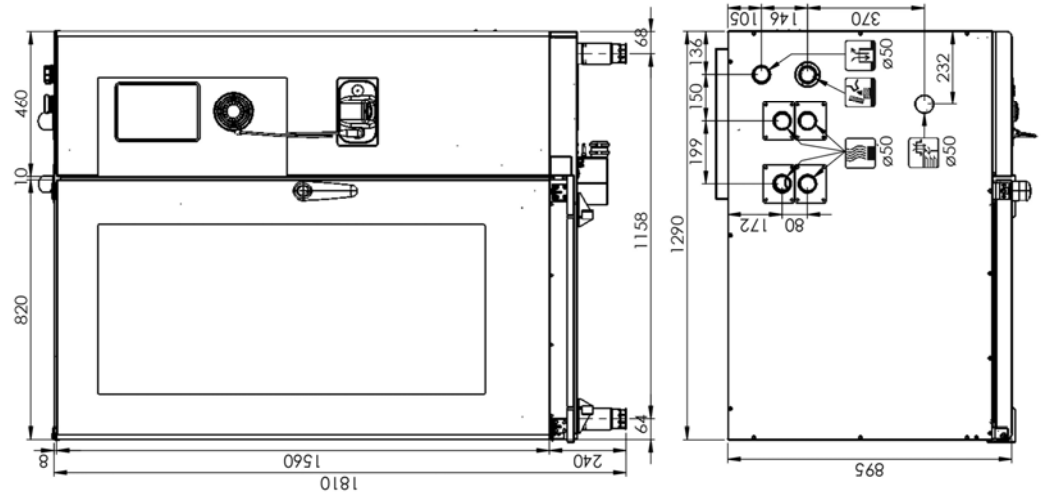
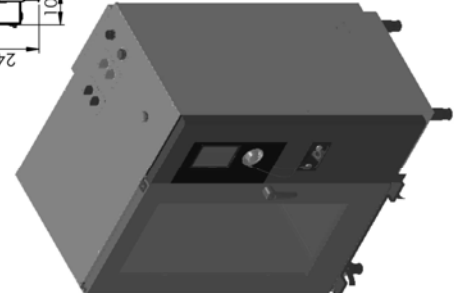
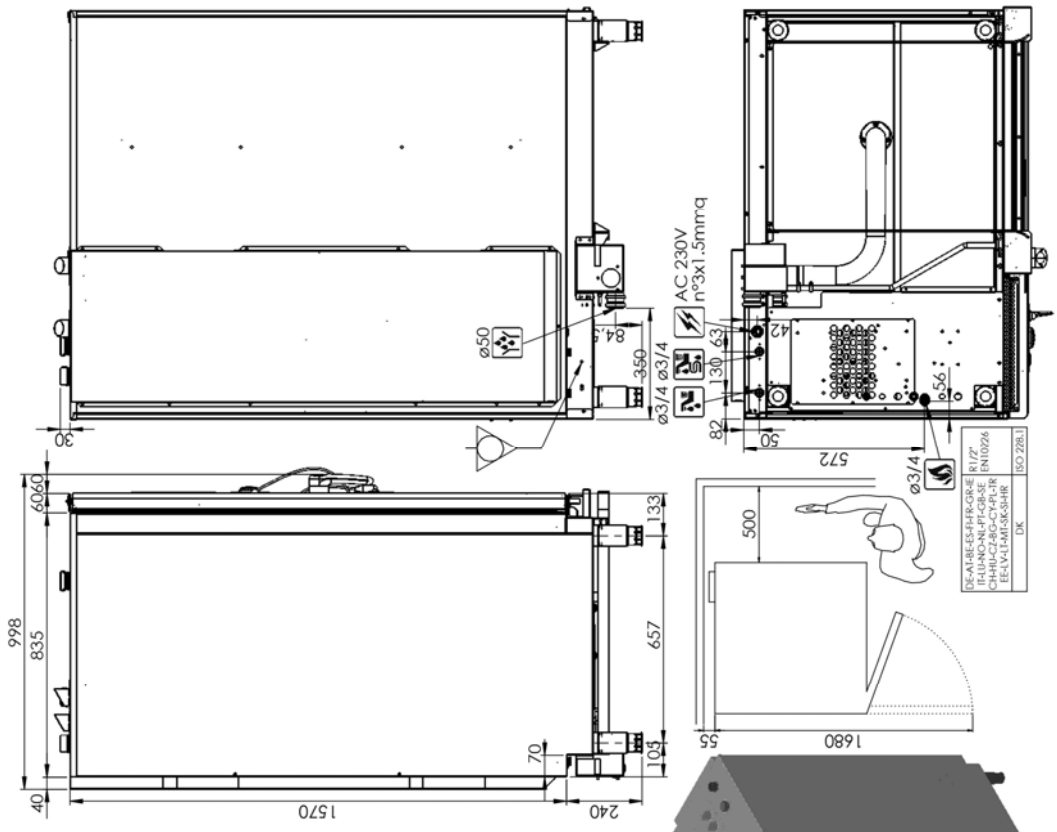
### OPTIONAL - TO BE REQUESTED WHEN ORDERING OVEN

- **NSG**: SMOKEGRILL - 3 IN 1 - BARBECUE SYSTEM / SMOKING / FLAVOURING
- **NETH**: EXTRA CHARGE FOR ETHERNET CONNECTION
- **NPK**: CONFIGURATION FOR CONNECTION TO EXTRACTION HOOD
- **DSP**: DISPLAY-CONTROL PANEL PROTECTION

### EXTRA ACCESSORIES THAT CAN BE INSTALLED FOLLOWING PURCHASE

- **KSC180**: MULTIPOINT CORE PROBE FOR LARGE ITEMS Ø 3 MM, PIN LENGTH 180 MM.
- **KSA001**: NEEDLE CORE PROBE Ø 1 MM.
- **KSM002**: MULTIPROBES SYSTEM, 2 MULTIPOINT CORE PROBES. Ø 3 MM
- **NFX02**: FAT FILTER
- **KKS202**: TROLLEY WITH DRIP TRAY
- **KKS202S**: TROLLEY WITH DRIP TRAY
- **RIC202**: STAINLESS STEEL RAMP FOR TROLLEY INSERTION, HELPS TO EVEN THE FLOORS UP TO 3% OF UNEVENNES
- **CPD20**: DETERGENT CONTAINER IN AISI 304 - TOP LOADING - DETERGENT QUANTITY DISPLAY - CAPACITY 2 TANKS OF 10 L.
- **MFP40E**: HOLDING CABINET
- **MFP42E**: HOLDING CABINET - PASS-THROUGH
- **RFP40E**: REGENERATING CABINET
- **RFP42E**: REGENERATING CABINET - PASS-THROUGH

The data reported in this document is to be considered non-binding. The company reserves the right to make changes at any time, without prior notice



- Electric power supply cable inlet
- Gas inlet and type of thread
- Flue pipe
- Boiler descaling cap
- Steam vent and chamber pressure drop safety device
- Oven steam vent
- Air extraction
- Normal water inlet
- Softened water inlet
- Liquid outlet
- Steam trap



Falcon Foodservice Equipment, Wallace View, Hillfoots Road, Stirling, FK9 5PY, Scotland, UK

t: +44 (0)1786 455 200 [lainox@falconfoodservice.com](mailto:lainox@falconfoodservice.com) [www.falconfoodservice.com](http://www.falconfoodservice.com)

22.02.2018

